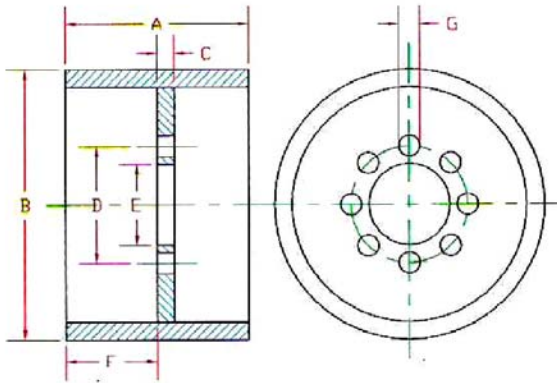




HUBS AND WHEELS OF EMORY, INC.
 ATTN: DONALD W. COULTHARD
 P.O. BOX 27
 EMORY, VA. 24327

PH: 276-944-4900
 FAX: 276-944-4927
 EMAIL: INFO@HUBSANDWHEELSOFEMORY.COM

ROLLED BAND WHEELS SPECIFICATION AND ORDER FORM



VEHICLE INFO

MAKE: _____
 MODEL: _____

WHEEL INFO

STEER OR DRIVE: _____
 OEM PART #: _____

WHEEL DIMENSIONS

WIDTH (A)- _____ Check One ()
 OUTSIDE DIAMETER (B)- _____ Countersink: ()60°, ()82°, ()90°, ()7/8 R, ()None
 DISH THICKNESS (C)- _____
 BOLT CIRCLE (D)- _____
 PILOT HOLE (E)- _____
 OFFSET FROM BACK SIDE (F)- _____ Customer Initial- _____
 BOLT HOLE SIZE (G)- _____
 NO. OF HOLES- _____

Date: _____
 PO# _____
 Ship Via: _____
 Qty. Needed: _____

Ship: _____

