



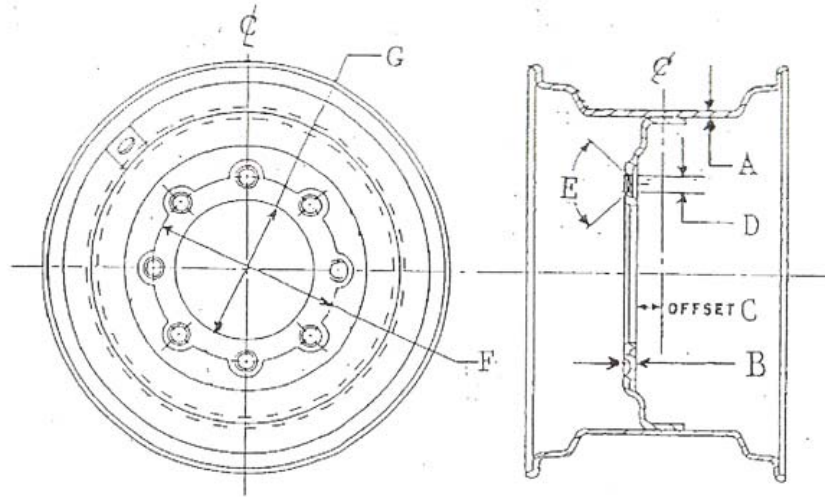
HUBS AND WHEELS OF EMORY, INC.
 ATTN: DONALD W. COULTHARD
 P.O. BOX 27
 EMORY, VA. 24327

PH: 276-944-4900
 FAX: 276-944-4927
 EMAIL: INFO@HUBSANDWHEELSOFEMORY.COM

DROP CENTER WHEEL ORDER/INQUIRY FORM

DATE _____
 ACCOUNT NAME _____
 BUYER'S NAME _____
 PHONE _____
 QTY. THIS INQUIRY _____

ORDER OR REFERENCE NO. _____
 ADDRESS _____
 ADDRESS _____
 FAX/EMAIL _____
 EXT/ ANNUAL QUANTITY _____



WHEEL DATA

RIM SIZE _____
 SINGLE OR DUAL _____
 A. RIM THICKNESS _____
 B. DISC THICKNESS _____
 C. DISC OFFSET _____
 POSITIVE OR NEGATIVE _____
 NO. OF BOLT HOLES _____
 D. BOLT HOLE DIAMETER _____
 E. COUNTERSINK(60, 90, BUDD, NONE) _____
 1 SIDE OR 2 SIDES _____
 F. BOLT CIRCLE DIAMETER _____
 G. PILOT HOLE DIAMETER _____
 FINISH: PRIMER OR SPECIAL COLOR _____

VEHICLE DATA

MANUFACTURER _____
 MODEL NO. _____
 OEM PART NO. _____
 DESCRIPTION (FORKLIFT, LOADER, ETC.) _____

 MAXIMUM LOAD _____
 MAXIMUM SPEED _____
 TIRE SIZE _____
 PNEUMATIC OR SOLID PNEUMATIC _____
 AIR PRESSURE(PSI) _____
 STEER OR DRIVE _____